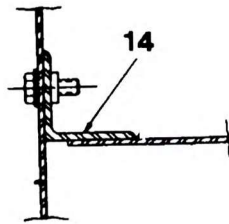
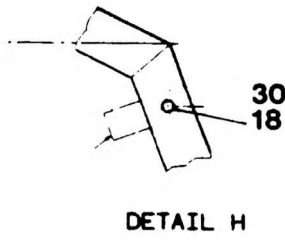
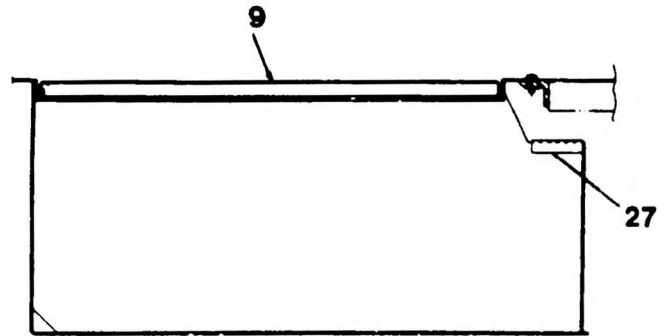
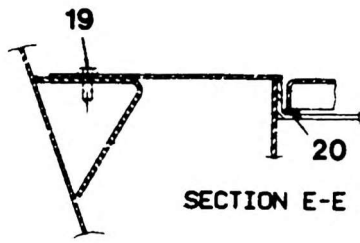
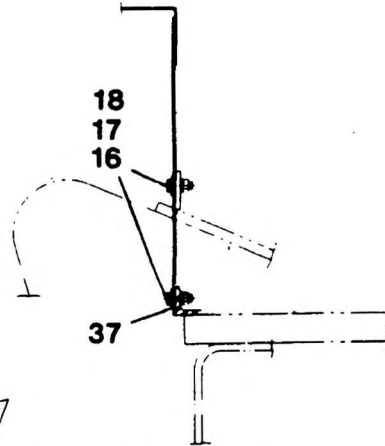
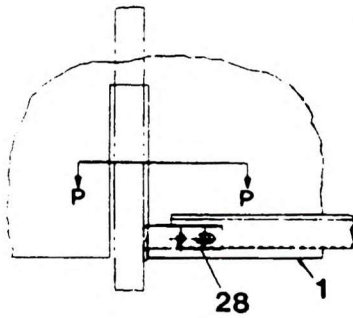


Manitowoc Crane Group



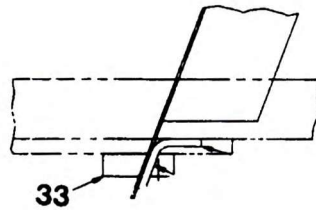
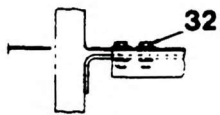
SECTION J-J



SECTION L-L

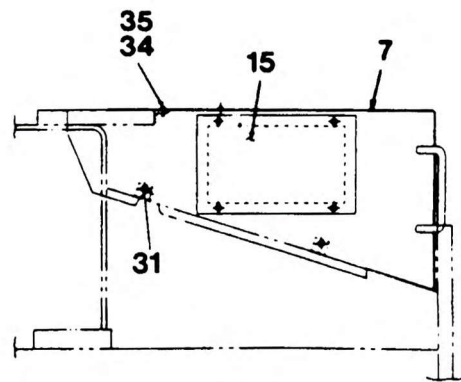
SECTION B-B

VIEW I-I



VIEW P-P

33



SECTION G-G

VIEW N-N

2192100681

(SHEET 2 OF 2)